



Professional Purification In compressed Air



@gotrading f GreatOrientalTrading 097-3619703

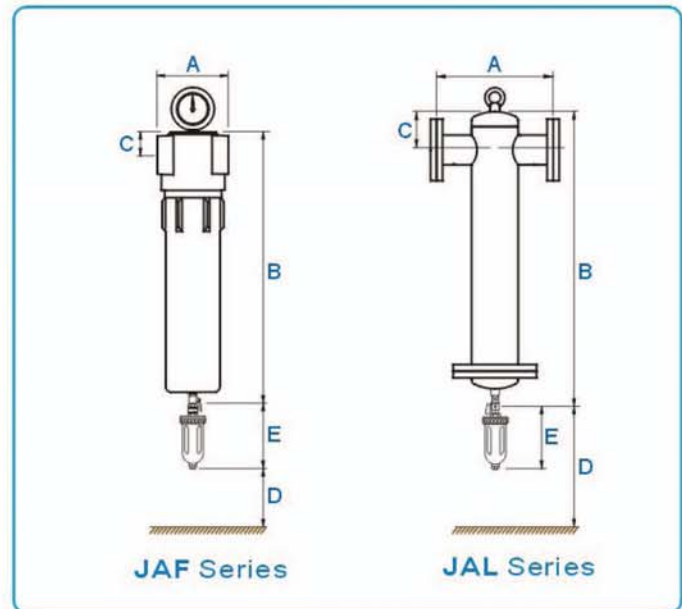
1049 ถ.ร่วมธรรม ต.คลองศรี อ.หาดใหญ่ จ.สงขลา 90110

GreatOrientalTrading
www.gotrading.co.th

JAFI Series

HIGH EFFICIENCY COMPRESSED AIR FILTER





Specification

Filter Model	Max. Capacity		Connection	Oper. Pressure	Dimensions (mm)					N.W.	Replacement Element	
	Nm ³ /min	SCFM			Inch	barG	A	B	C			D
JAF Ported	(Grade) - 10F	1.6	56	1/2" PT	16	87	303	24	180	200	1.3	NF1E x 1
	(Grade) - 15F	2.4	84	3/4" PT	16	87	303	24	180	200	1.3	NF1E x 1
	(Grade) - 25F	3.6	127	1" PT	16	130	325	43	190	200	3.6	NF2E x 1
	(Grade) - 40F	5.5	194	1 1/2" PT	16	130	325	43	190	200	3.6	NF2E x 1
	(Grade) - 60F	8.1	285	1 1/2" PT	16	130	740	43	430	200	6.7	NF3E x 1
	(Grade) - 100F	15	529	2" PT	16	163	762	55	590	200	8.9	NF4E x 1
	(Grade) - 150F	25	882	2 1/2" PT	16	163	1017	55	700	200	11.0	NL1E x 1
JAL Flanged	(Grade) - 200L	30	1059	3" FL	10	350	1120	116	680	200	45	NL1E x 1
	(Grade) - 400L	60	2118	4" FL	10	510	1330	150	680	200	70	NL1E x 2
	(Grade) - 700L	90	3177	6" FL	10	600	1450	195	680	200	110	NL1E x 3
	(Grade) - 900L	120	4236	6" FL	10	600	1460	195	680	200	150	NL1E x 4
	(Grade) - 1250L	150	5295	8" FL	10	750	1600	195	680	200	240	NL1E x 5

Operating Scope Max. operating temp. : 60°C (High temp. is also available) Max. differential pressure : 0.6barG

Material Ported : Aluminium Flanged : Carbon steel

Optional Auto drain : "D" (Pressure is higher than 10 barG needs prior notice) Differential pressure gauge : "G"

Customize Stainless steel: "P" High pressure : H1 (11~20barG) ; H2 (21~30barG) ; H3 (31~40barG) ; H4 (41~50barG)

Element Replacement Replace every 1 year or earlier if the differential pressure gauge changes to red. Activated carbon elements should be changed after 1000 hours operation. All filter elements only guaranteed under operating scope.

Ordering Example **AH** High efficiency oil removal filter with a max. capacity of 30Nm³/min , internal auto drain and differential pressure gauge , would be configured as : **AH-200L-D-G** , **A-NL1E** for element model. (Equip with "D" or "G", JAF Series model number printed on name plate without -D-G, JAL Series model number with -D-G)

Correction Factors

Pressure	1	2	3	4	5	6	7	8	9	10	11	12	13	14	15	16
Factor	0.25	0.38	0.50	0.65	0.75	0.88	1.00	1.13	1.25	1.38	1.50	1.63	1.75	1.88	2.00	2.13

Original imported top quality filter element.



@gotrading f GreatOrientalTrading 097-3619703
1049 ถนนสุขุมวิท ต.คลองตัน อ.หาดใหญ่ จ.สงขลา 90110

Features

Airfilter Engineering original imported top quality filter element. 98% voids volume provides long life time with lowest operating cost. Pleated media provides far more filter surface, therefore more dirt holding capacity, lower diff. pressure and lower running cost compare to conventional wrapped element designs

A. Filter Media

AFE uses high performance borosilicate micro fiber with 98% void volume. The pleated design assures the highest possible filtration area within the element geometry to provide low operating cost.

B. End Cap

An O-Ring sealed alumina end cap for the highest possible operating temperature together with tie rod construction provides highest possible security against pressure spikes in the compressed air system.

C. Stainless Steel Support Sleeves

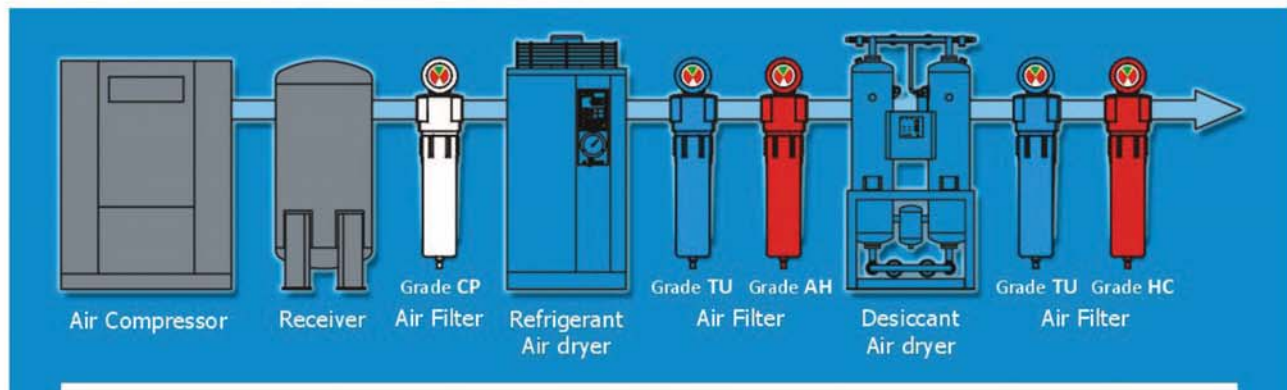
Inner and outer SS support sleeves for supporting the filter media, incl. a mechanical pre- separation.



SELECT FILTRATION GRADE REQUIRED

Filtration Grade	CP	TU	AH	HC
Features	Coarse Pre-Filtration	General filtration	High performance filtration	Activated carbon filter
Oil Removal mg/m ³	n/a	0.1	0.01	0.003
Particle Removal micron μ	3.0μ	1.0μ	0.01μ	n/a

Application



- Grade TU filters after desiccant air dryer is for particle removal. Must be installed reversely and auto drain is unnecessary.
- Grade HC filters is for oil vapor and odor removal. Auto drain and differential pressure gauge are not required.