



# MIZZER

## Oil-Mist Collector

## High collecting efficiency

- More than 98% efficiency in collecting and exhausting oil mist through condensing and separating by means of collision and centrifugal force

## HEPA Filter

- After Filter support to collect even smoke and fume with more than 99% efficiency
- Long life durability

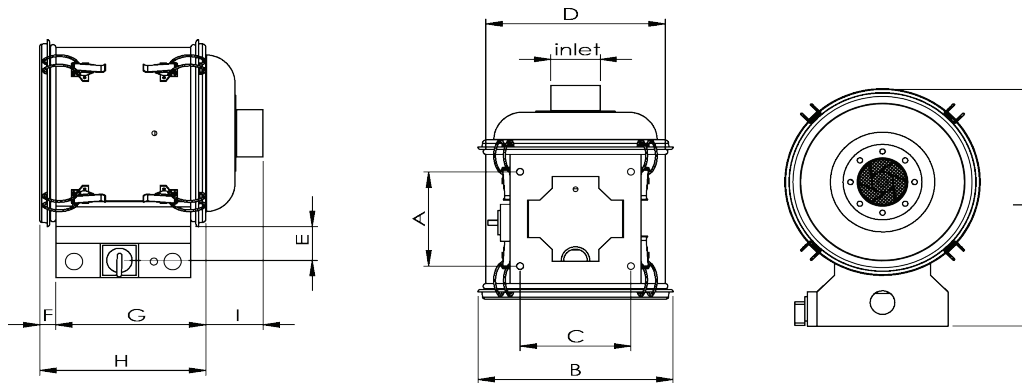
## Simple and safe maintenance

- Easy assembling/ disassembling and convenient maintenance with simple structure and parts
- Cleaning by compressed air simply
- Various installation method on machines

## Application

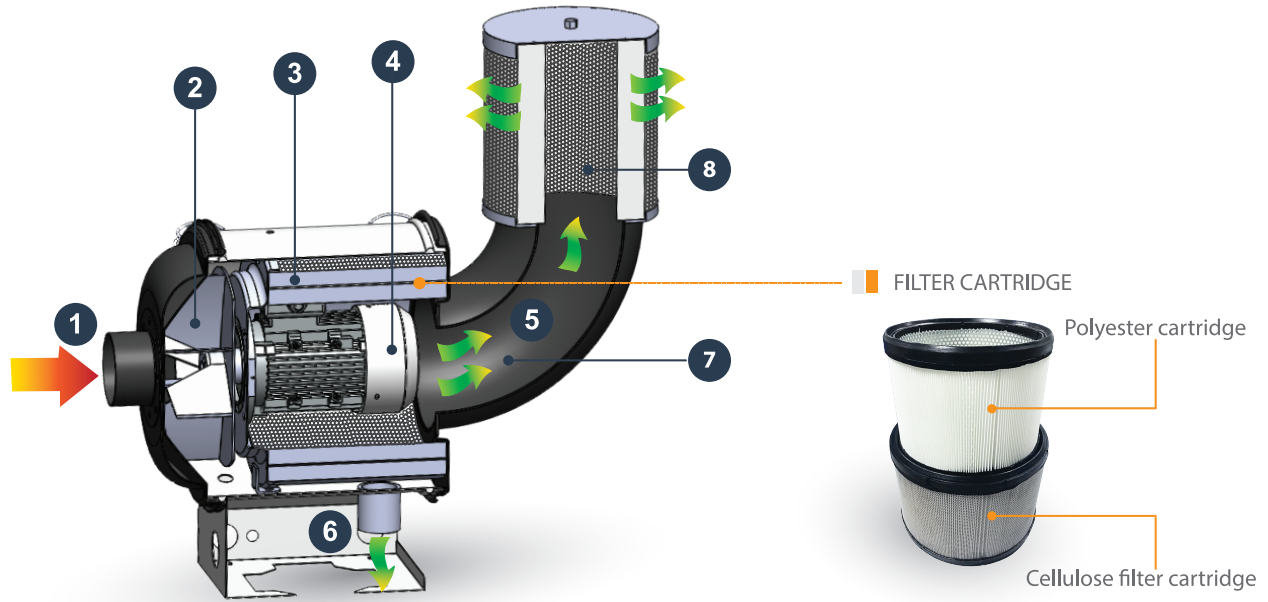
- CNC Machines, Grinding machine, Washing machine, Auto Lathe, Tapping machine, Gear marking machine, Hobbing machine, Drilling machine

## Dimension (mm)



Model	A	B	C	D	E	F	G	H	I	J	Inlet Dia.
MIZZER-800	200	396	225	364	71.5	32.5	304.5	337	116	503	100
MIZZER-1500	200	396	225	364	71.5	32.5	304.5	337	116	503	150

## Part list



- |                             |                     |                           |                               |
|-----------------------------|---------------------|---------------------------|-------------------------------|
| <b>1</b> OIL MIST AIR INLET | <b>2</b> IMPELLER   | <b>3</b> FILTER CARTRIDGE | <b>4</b> ELECTRIC MOTOR       |
| <b>5</b> CLEAN AIR OUTLET   | <b>6</b> OIL OUTLET | <b>7</b> ADAPTER (OPTION) | <b>8</b> HEPA FILTER (OPTION) |

## Specification (mm)

Model	Air Flow (CMH)	Power (KW/HP)	Filter Area (Sq.m)	Noise Level dB(A)	Net Weight (Kg)	Electrical (V)
MIZZER-800	800	0.75/1	1.58	72	29	220/380
MIZZER-1500	1500	1.5/2	1.58	74	55	220/380

## Application of MIZZER

Rough Processing : Lathe



Intermediete Preforming : Milling



Finishing Processing : Grinding



## Reference

